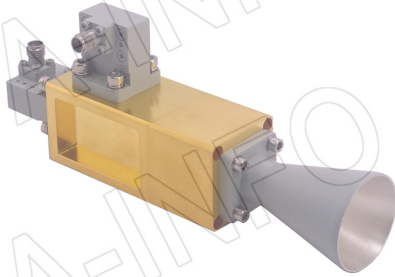


For reference only. See data sheet for the detailed specifications.

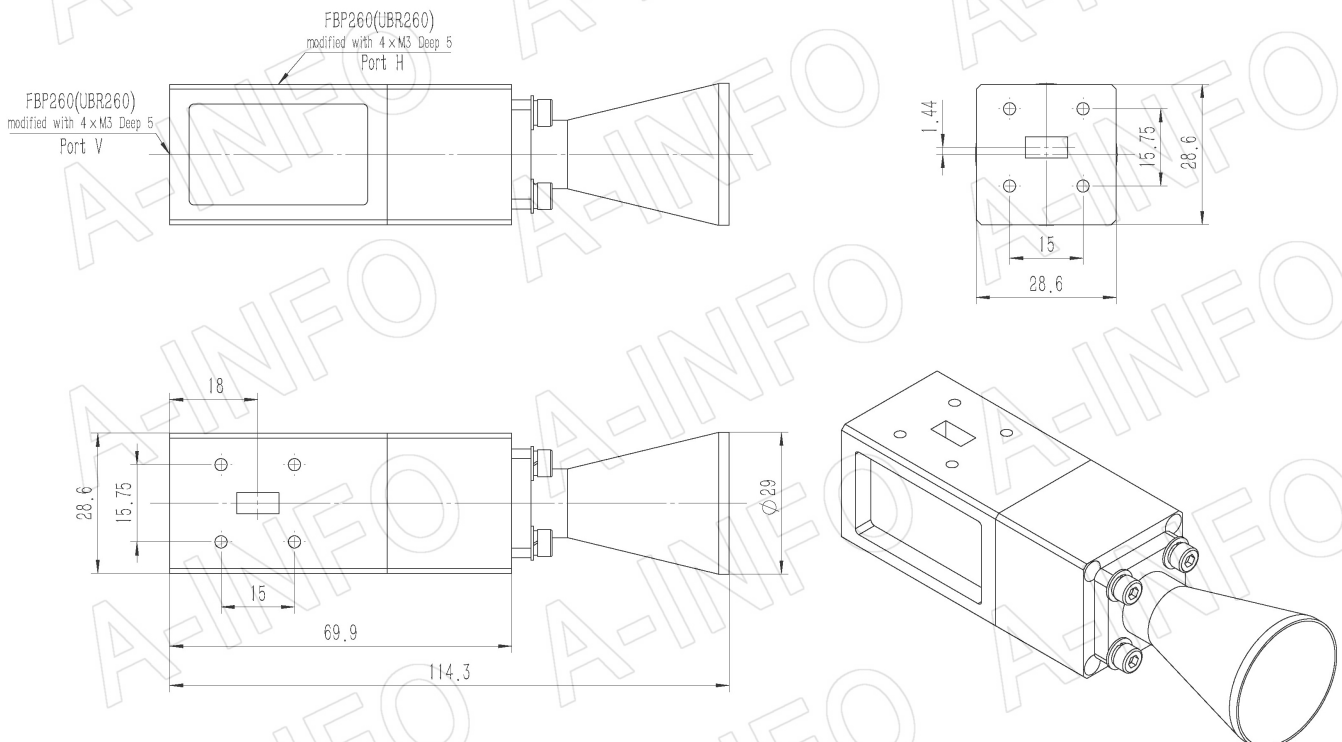
Technical Specification



Frequency Range(GHz)	22.0 – 29.0
Waveguide	WR34
Gain(dBi)	15 Typ.
Polarization	Dual Linear
3dB Beamwidth(deg)	E Plane: 24 Typ.
	H Plane: 30 Typ.
Cross Pol. Isolation(dB)	40 Typ.
Port to Port Isolation(dB)	50 Typ. ; 40 Min.
VSWR	A Type: 1.8:1 Max.
	C Type: 2.0:1 Max.
Output	A Type: FBP260(UBR260) (Modified with 4xM3 D5)
	C Type: 2.92mm-Female
Material	Al
Finish	Gold Plated and Silver Plated, Gray Paint
Size(mm)	A Type: 29 x 29 x 114.3
	C Type: 30.9 x 52.6 x 138.3
Net Weight(Kg)	A Type: 0.38 Around
	C Type: 0.48 Around

Outline Drawing (Size: mm)

FBP260 Output (P/N: LB-CNH-34-15-T06-A)



AINFO Inc.

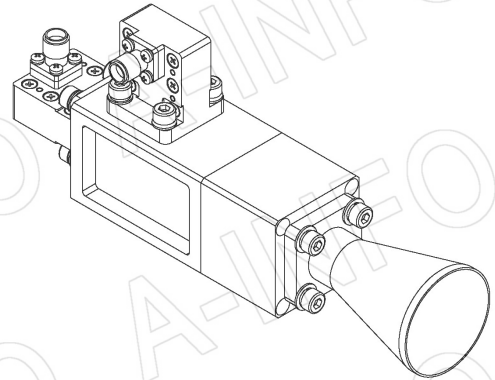
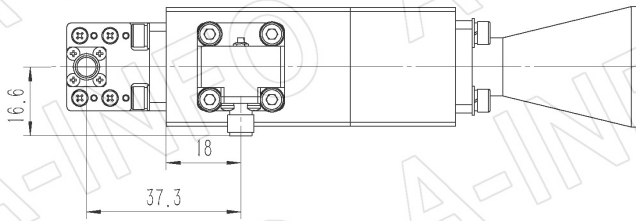
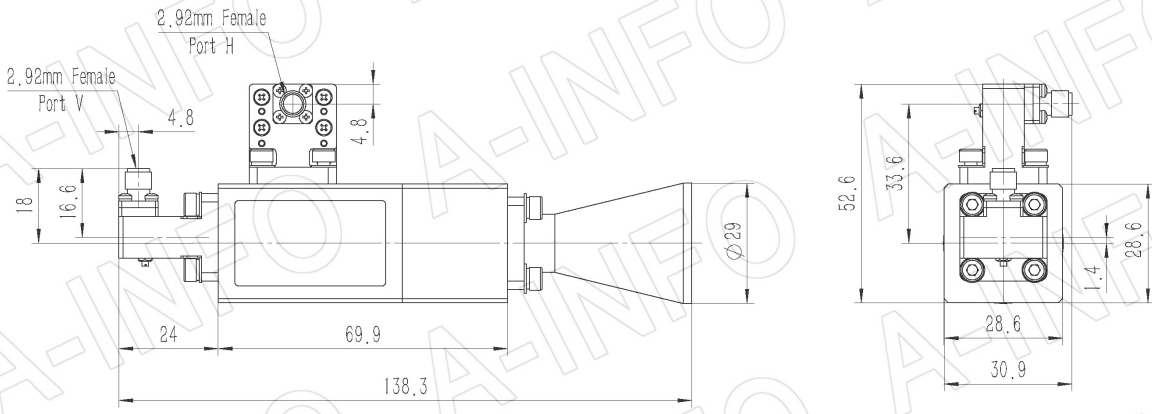
China(Beijing): Tel: (+86) 10-6266-7326,
China(Chengdu): Tel: (+86) 28-8519-2786,
USA: Tel: (+1) 949-639-9688,

Page 1 of 10

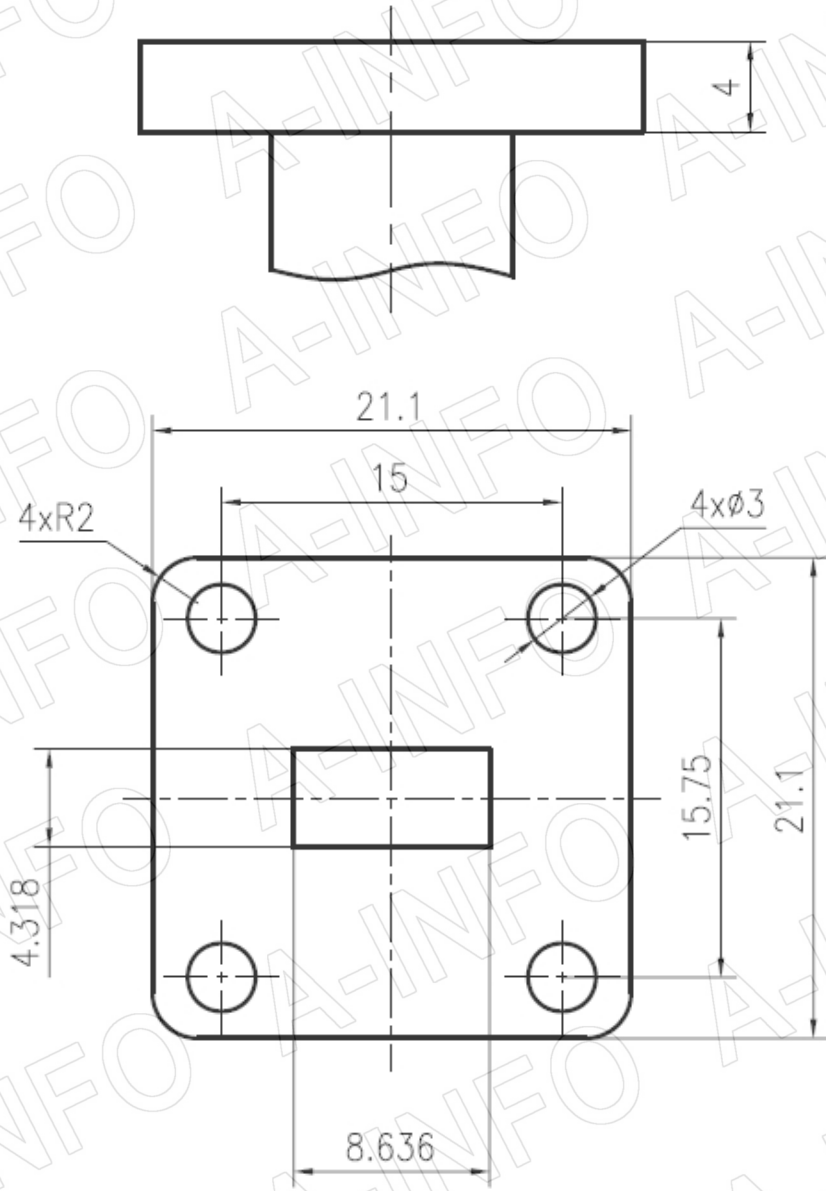
(+86) 10-6266-7327 Fax: (+86) 10-6266-7379
(+86) 28-8519-3044 Fax: (+86) 28-8519-3068
(+1) 949-639-9608 Fax: (+1) 949-639-9670

Website: www.ainfoinc.com
Email: sales@ainfoinc.com

2.92mm-Female Output (P/N: LB-CNH-34-15-T06-C-KF)



Flange Drawing (Size: mm)



FBP260

AINFO Inc.

China(Beijing): Tel: (+86) 10-6266-7326,
China(Chengdu): Tel: (+86) 28-8519-2786,
USA : Tel: (+1) 949-639-9688,

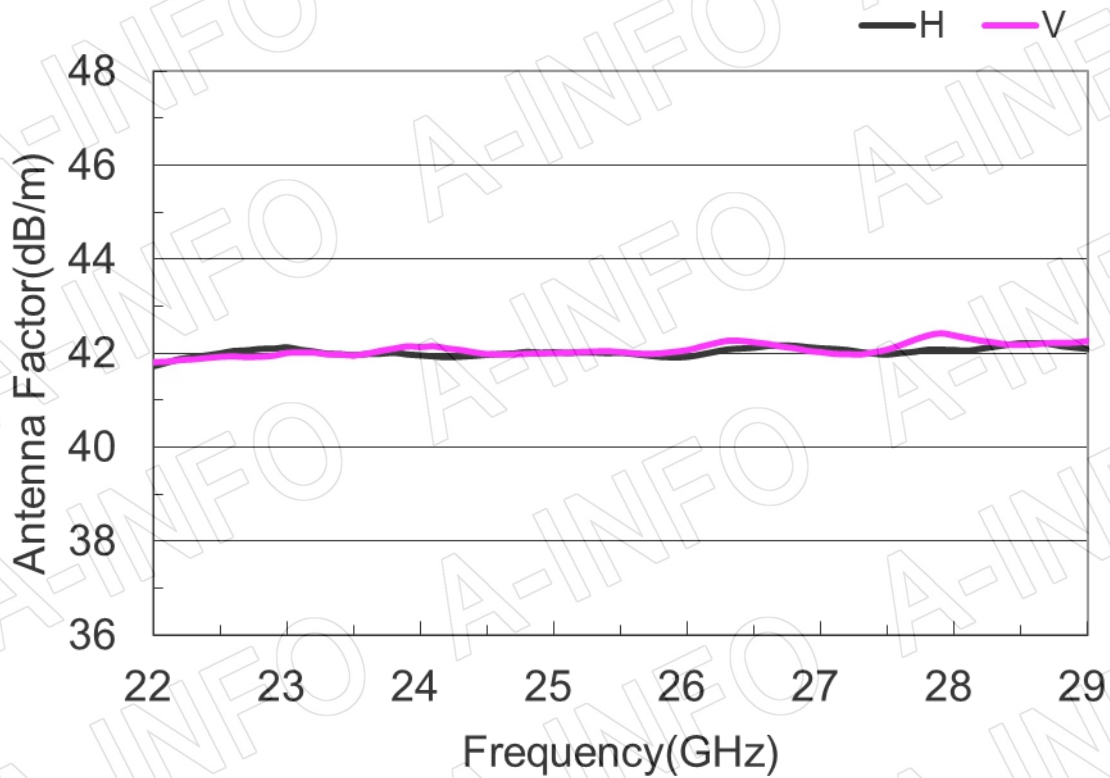
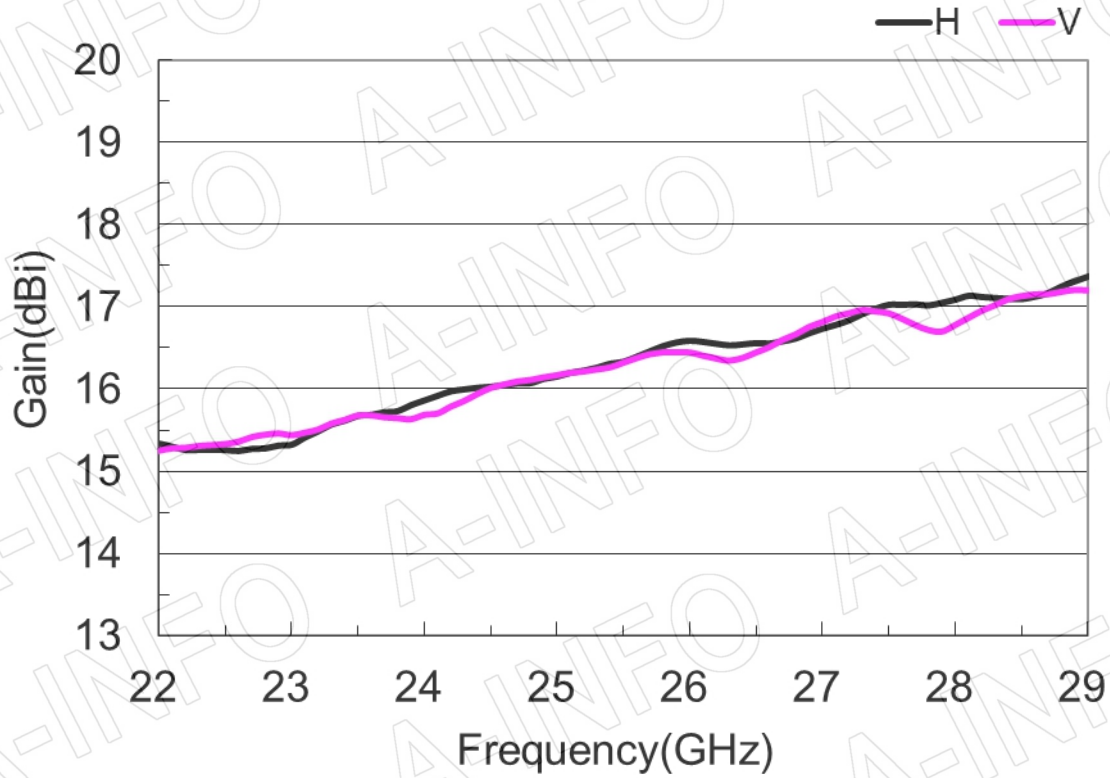
Page 3 of 10

(+86) 10-6266-7327 Fax: (+86) 10-6266-7379
(+86) 28-8519-3044 Fax: (+86) 28-8519-3068
(+1) 949-639-9608 Fax: (+1) 949-639-9670

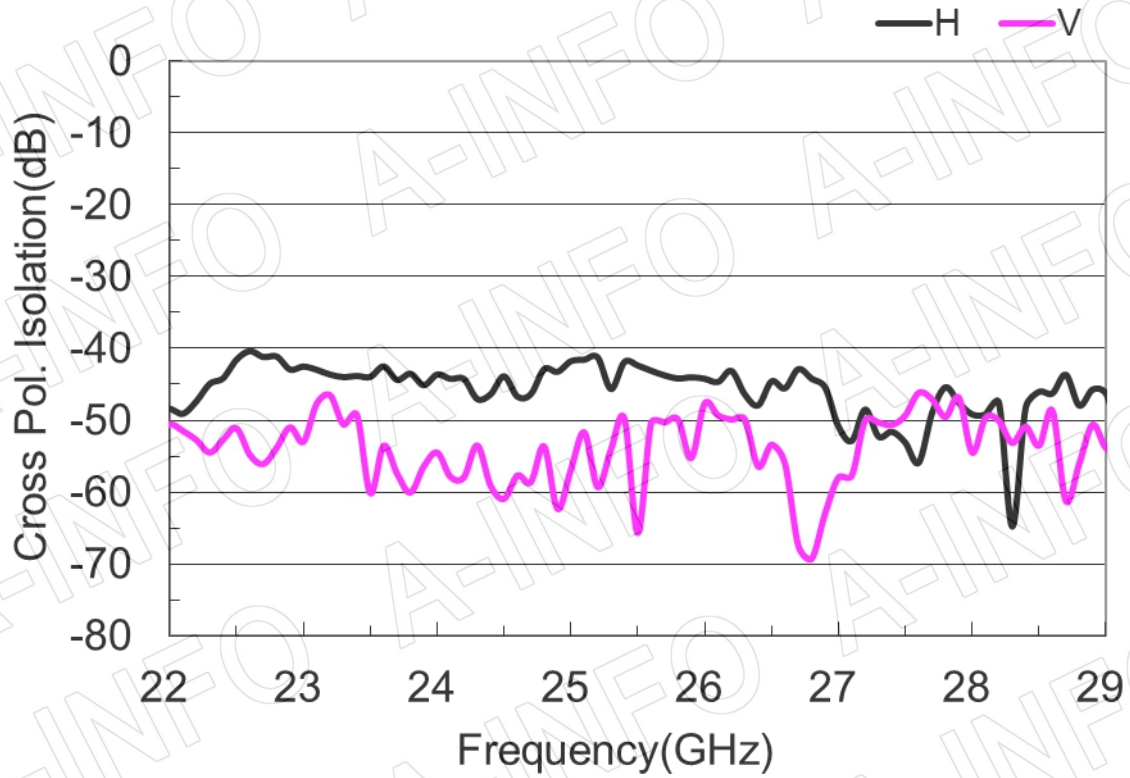
Website: www.ainfoinc.com
Email: sales@ainfoinc.com

Test Results

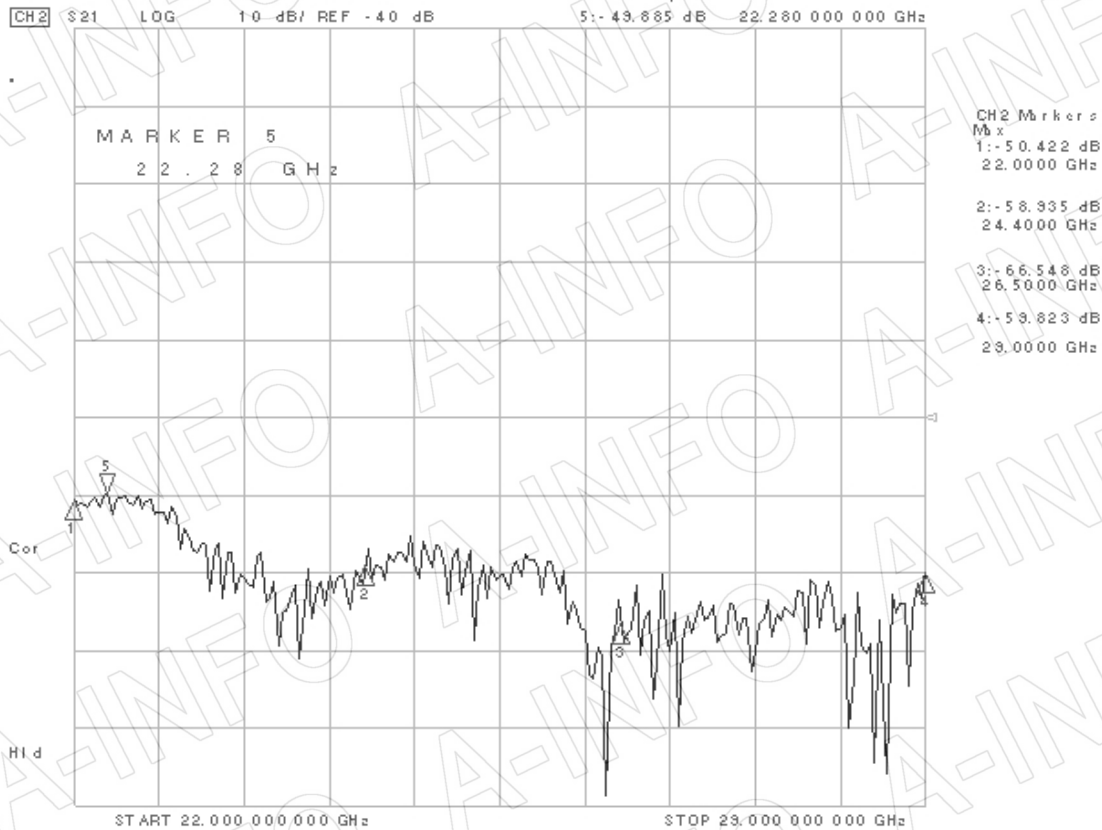
1. Gain & Antenna Factor



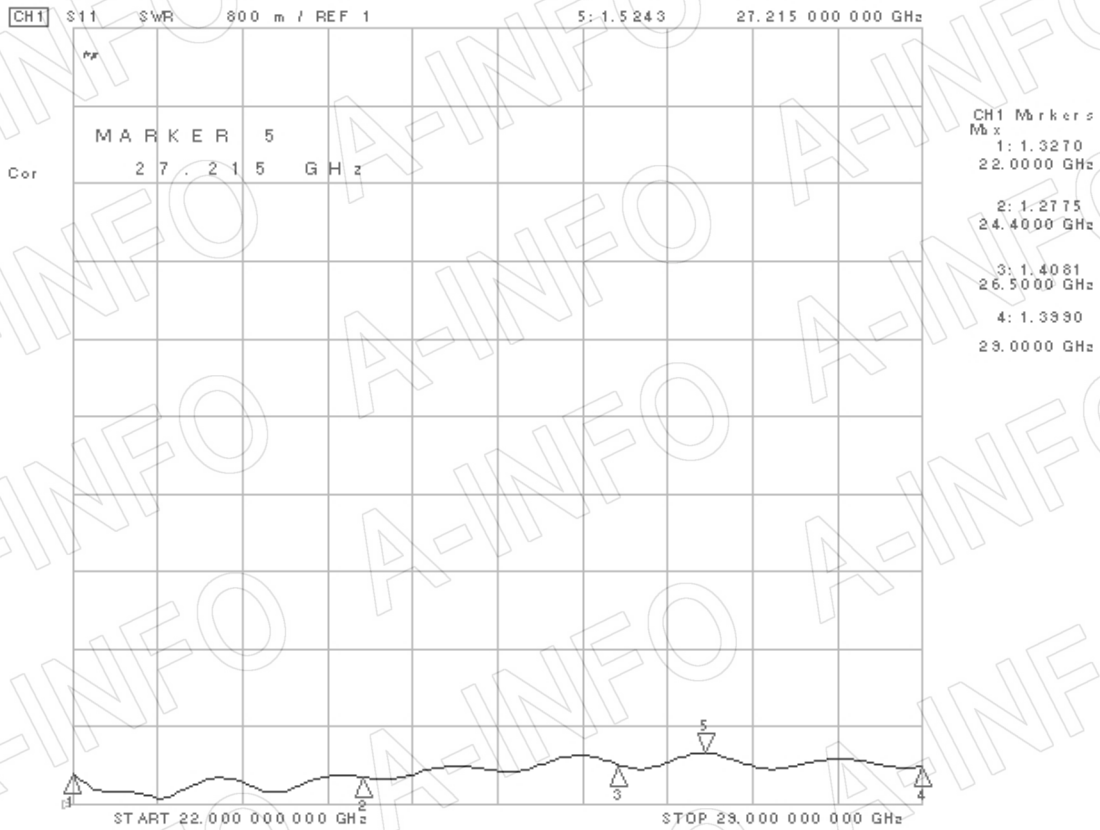
2. Cross Polarization Isolation



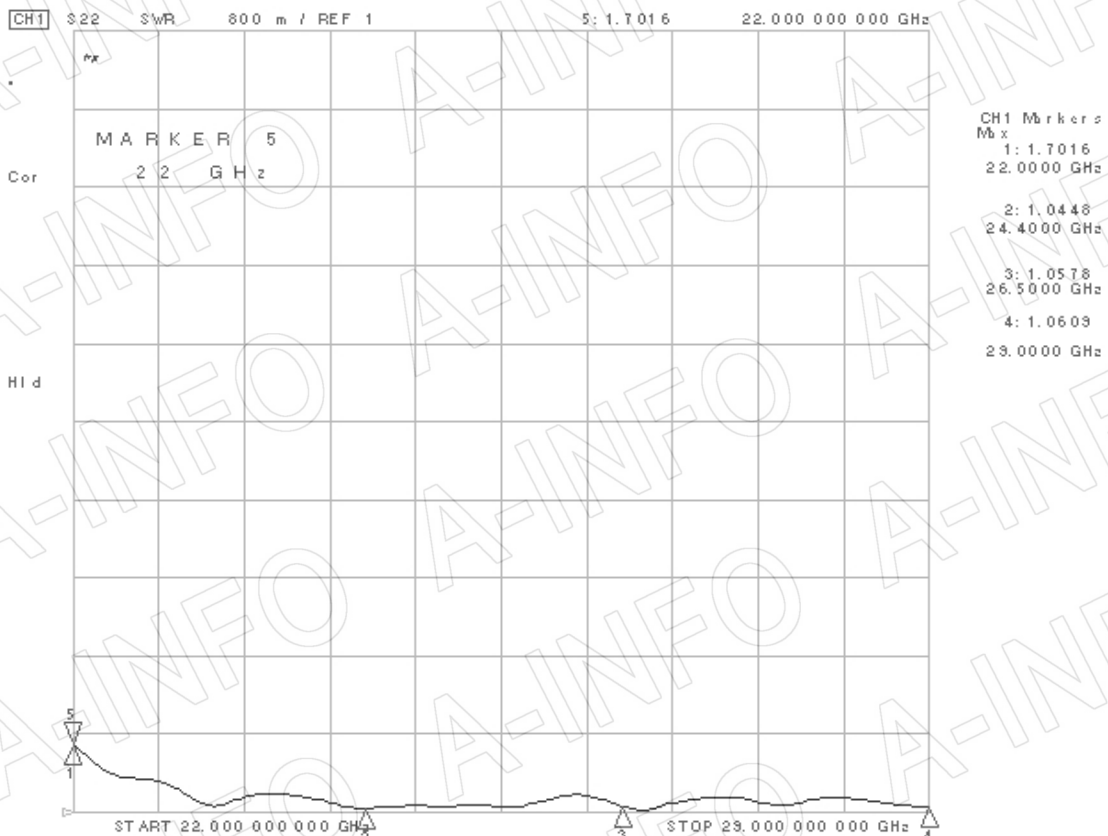
3. Port to Port Isolation



4. VSWR_A Type Port-H

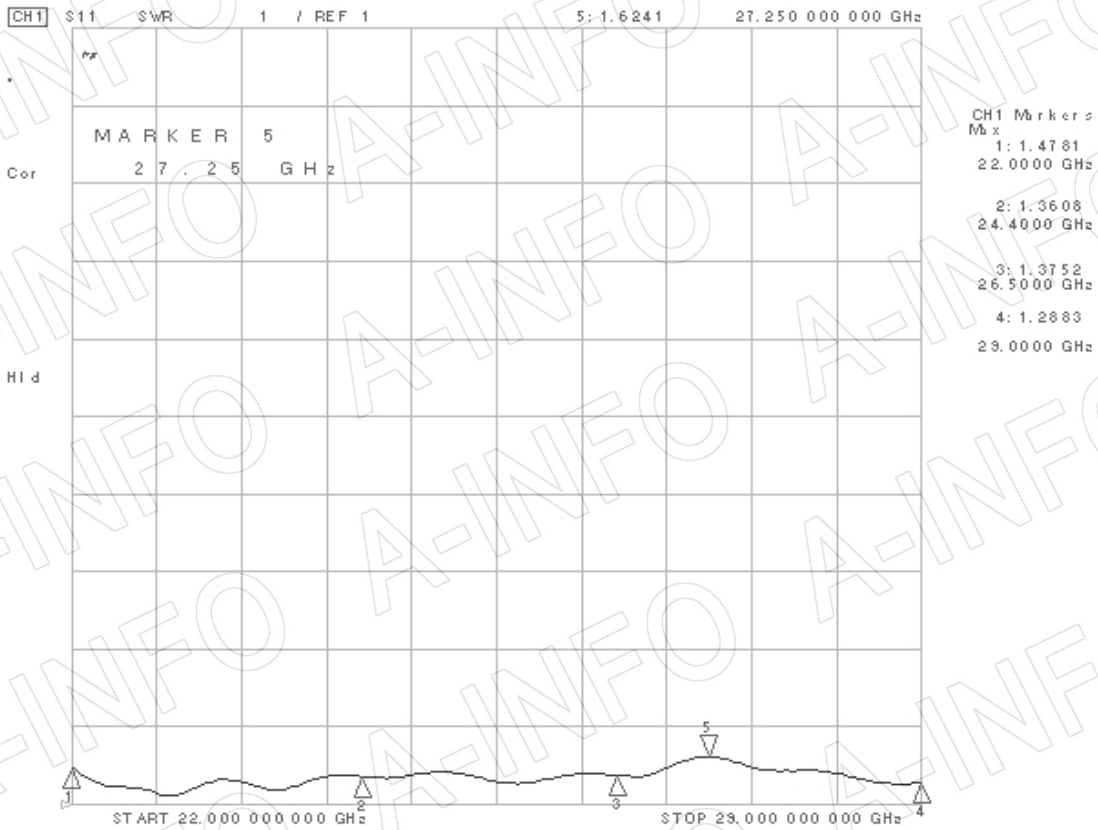


Port-V

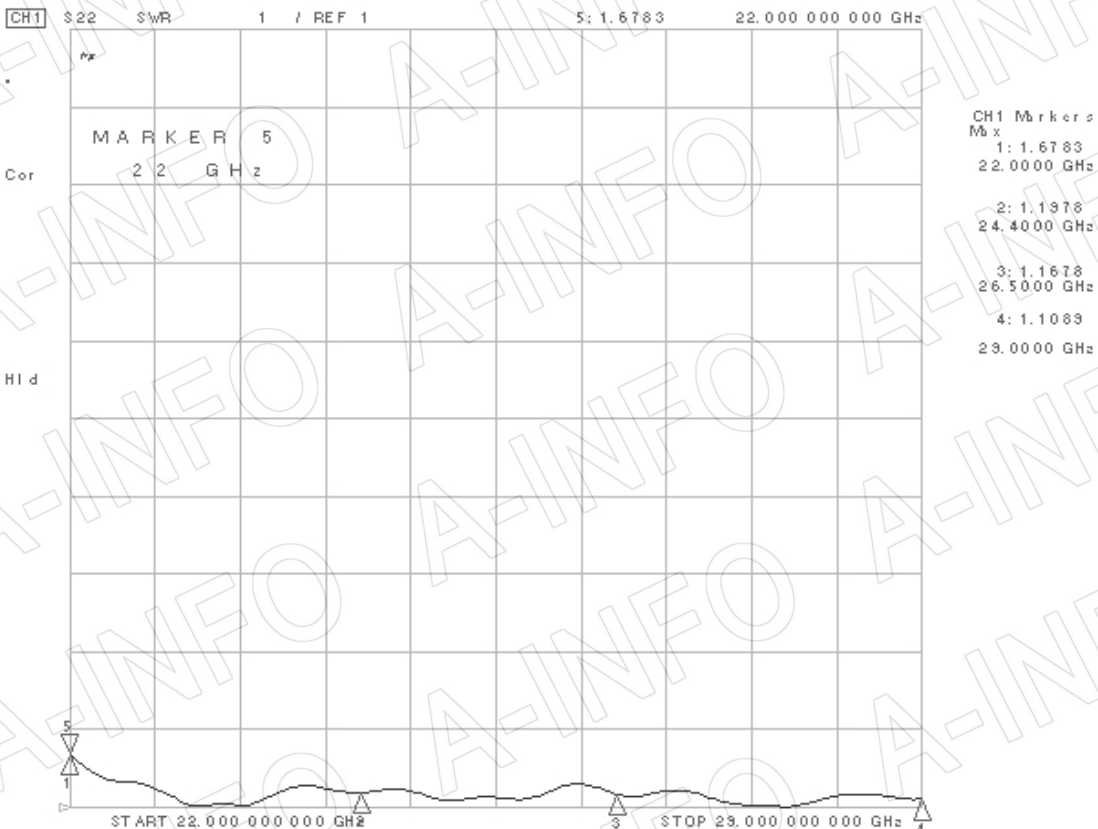


VSWR_C Type

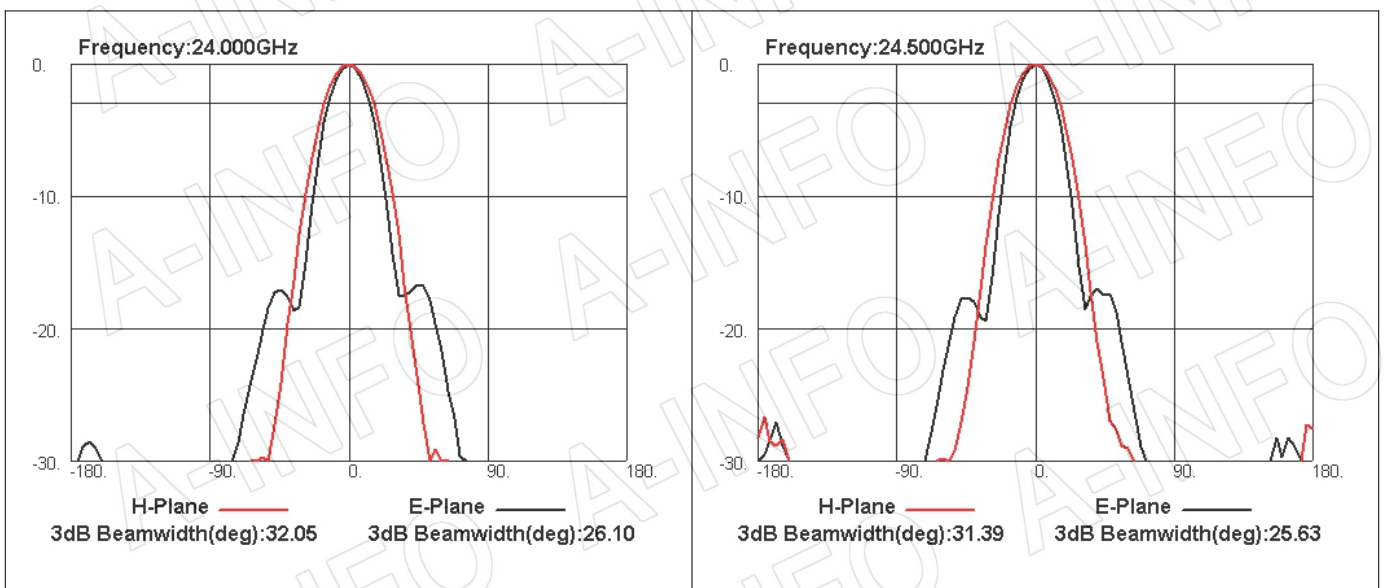
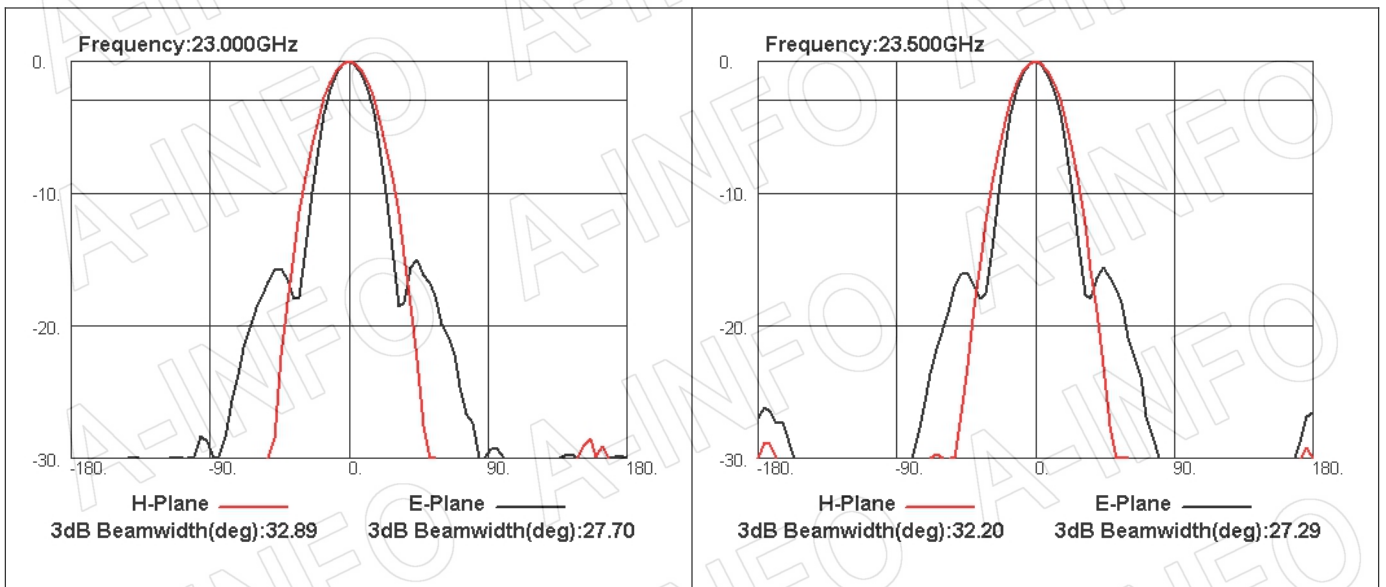
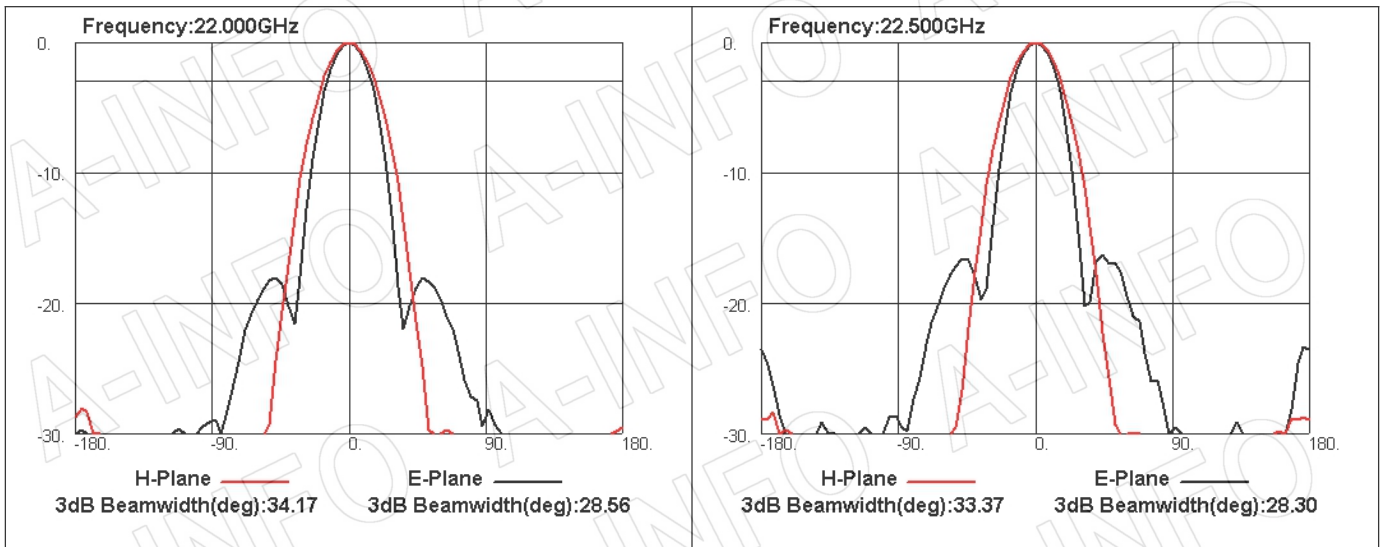
Port-H



Port-V



5. Pattern



AINFO Inc.

China(Beijing): Tel: (+86) 10-6266-7326,
China(Chengdu): Tel: (+86) 28-8519-2786,
USA: Tel: (+1) 949-639-9688,

Page 8 of 10

(+86) 10-6266-7327
(+86) 28-8519-3044
(+1) 949-639-9608

Fax: (+86) 10-6266-7379
Fax: (+86) 28-8519-3068
Fax: (+1) 949-639-9670

Website: www.ainfoinc.com
Email: sales@ainfoinc.com

